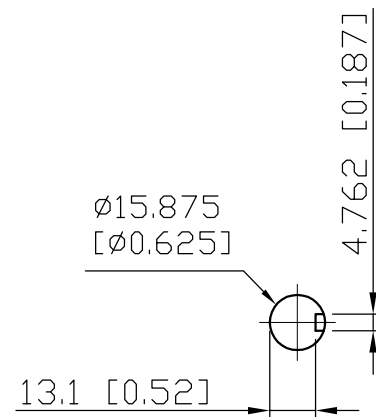


B VIEW



A VIEW